

**HCB**<sup>®</sup>  
BEARING HOUSINGS



GENERAL  
CATALOGUE

[www.hcb.com.tr](http://www.hcb.com.tr)



V.01 / 2014

COPYRIGHT HCB 2014

The contents of this catalogue may not be reproduced without permission even extracts. The accuracy of the informations in this catalogue has been ensured. No liability can be accepted for any errors and omissions. We reserve the right to make changes in technical progress.

PRINTED IN TURKIYE



## FOREWORD

HCB is a family owned company, manufactures only bearing housings since 1969 in Konya / TURKEY

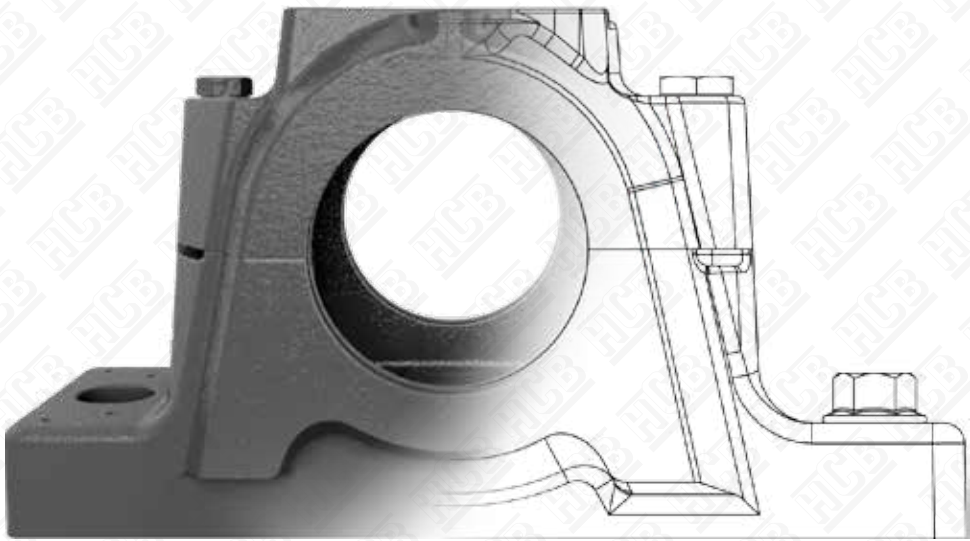
Having said that, we have been manufacturing almost all type of housings in any quantity with incredible delivery time which contributes us being a domestic market leader because we have no connection with any other company or country.

All manufacturing process done at HCB facilities such as casting, machining, painting untill final despatchment directly to you ISO 9001:2008 certified HCB bearing housings are manufactured of EN-GJL-200 grey cast iron in accordance with DIN736/737 and ISO/R 113 norms.

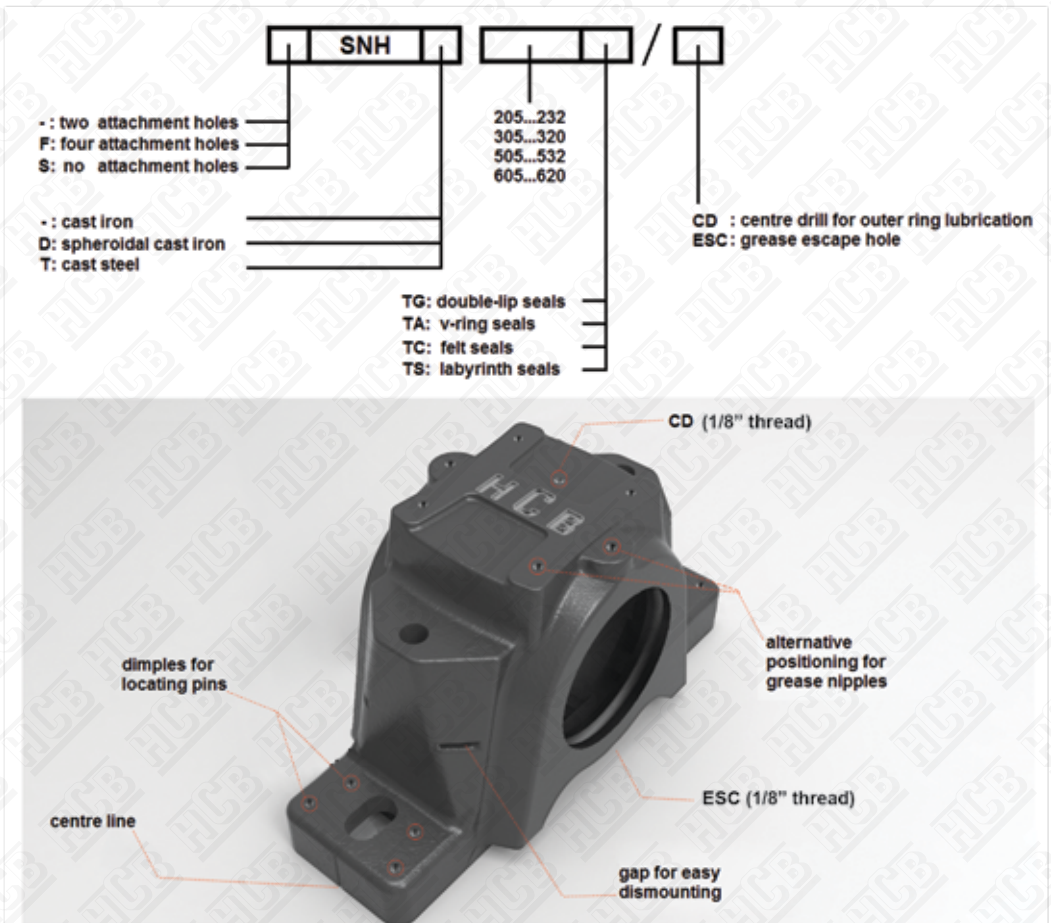
Cast steel and spheroidal cast iron supplied upon request.

This catalogue provides a general view to HCB range for standart housings allows you to make an easy selection of appropriate housing according to your needs.

For special purpose housings not listed in this catalogue, HCB will be happy to supply any housing should application be made.

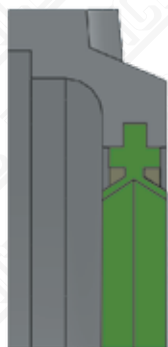


**REINFORCED BASE**

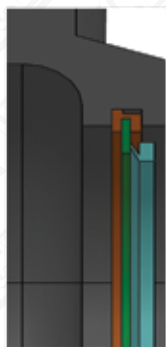




## SEAL TYPES



TSN-G



TSN-A



TSN-C



TSN-S

	TSN-G	TSN-A	TSN-C	TSN-S
<b>Temperature °C</b>	-40 +100	-40 +100	-40 +100	-40 +200
<b>Grease lubrication</b>	●●●	●●●	●	●●
<b>Oil lubrication</b>	●	●	—	●
<b>Replacement</b>	●●●	●	●●	●
<b>Dust</b>	●●●	●●	●●	●●
<b>Sand</b>	●●●	●●	●	●●
<b>Grit</b>	●●	●	●	●●
<b>Cold water</b>	●●●	●●●	●	—
<b>Hot water</b>	●●	●●●	●	—
<b>Direct Sunshine</b>	—	●●	●●	●●●

- very suitable
- suitable
- normal
- not suitable